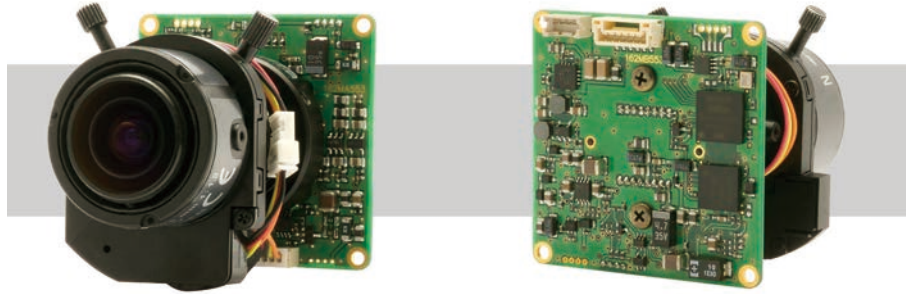


W-04CDB3 1/3" Multi-function Board Camera with Varifocal Lens

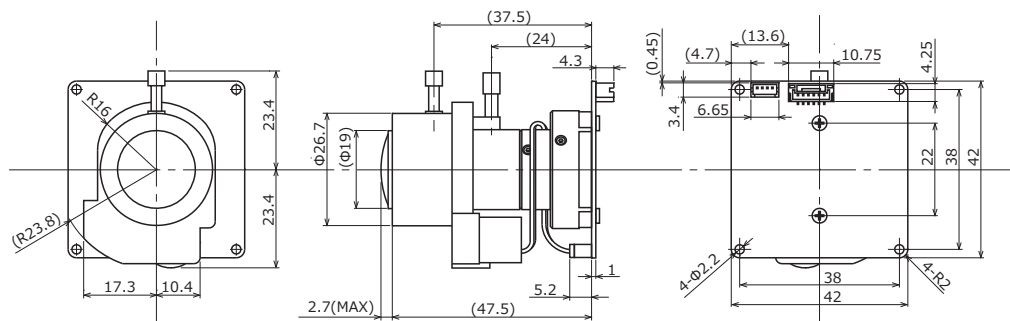
High functionality and high sensitivity for demanding scene conditions



Key features

- 1/3-inch CCD sensor with high sensitivity 0.005 lx F1.2 and resolution 650TVL
- Advanced setting available by OSD (On-Screen Display) through an optional remote control
- 2DNR, privacy masking, BLC (Back Light Compensation)
- Mirror image, white blemish correction, contour correction
- Built-in vari-focal lens (f=2.8 - 10.5mm)

Dimensions

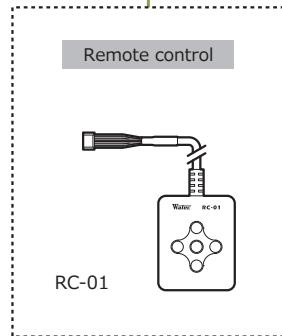
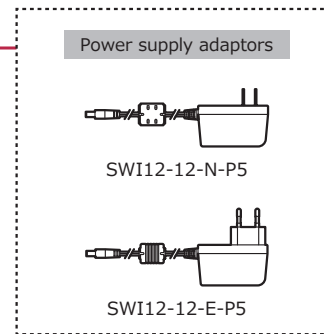
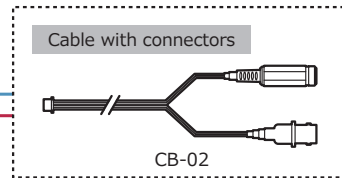
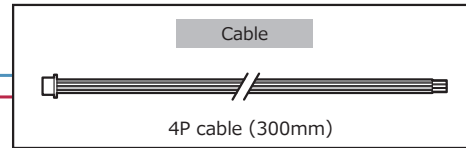
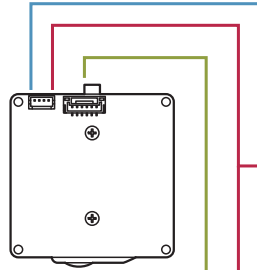
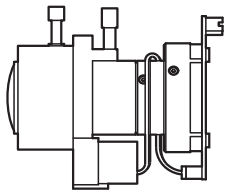
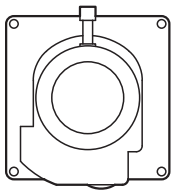


Specifications

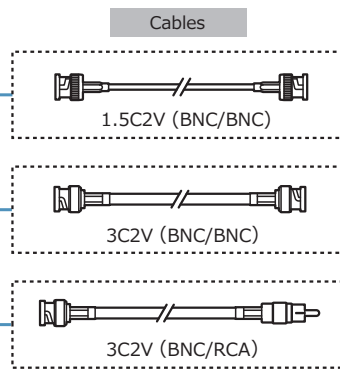
| Video standard | | NTSC | PAL |
|------------------------------|-------|--|----------------------|
| Pick-up element | | 1/3 inch interline transfer CCD image sensor | |
| Number of effective pixels | | 976(H) × 494(V) | 976(H) × 582(V) |
| Unit cell size | | 5.4μm(H) × 7.4μm(V) | 5.0μm(H) × 6.25μm(V) |
| Imaging system | | Ye, Cy, Mg, and G complementary color mosaic filters on chip | |
| Synchronizing system | | Internal | |
| Scanning system | | 2:1 Interlace | |
| Video output | | Composite: 1.0 V(p-p) 75Ω (Unbalanced) | |
| Resolution (H) | | More than 650TVL (Center) | |
| Minimum illumination | | 0.005 lx F1.2 (AGC ON=45dB, Shutter=OFF) | |
| S/N | | More than 52dB (AGC OFF=-3dB, γ=0.45) | |
| Function settings | | OSD : Remote controller | |
| AE mode | Fixed | 1/60, 1/100 sec. | 1/50, 1/120 sec. |
| | EI | 1/250, 1/500, 1/1000, 1/2000, 1/4000, 1/10000 sec. | |
| | | 1/60 - 1/100000 sec. | 1/50 - 1/100000 sec. |
| White balance | | ATW, AWB, ACR, PWB, MWB, PRESET (5100K, 6300K) | |
| AGC | ON | -3 - 45dB | |
| | OFF | -3dB | |
| MGC | | 0 - 42dB (6dB step) | |
| Day/Night | | Digital Auto, Manual | |
| Gamma characteristics | | γ=0.45 | |
| Video level | | Adjustable | |
| Noise reduction | | 2DNR OFF/ON Level adjustable | |
| Wide dynamic range | | D-WDR OFF/ON Level adjustable | |
| Lens iris | | Video / DC | |
| Back light compensation | | BLC, HSBLIC | |
| White blemish correction | | Up to 64 pixels | |
| Sharpness | | Level adjustable | |
| Defog | | OFF/ON Level adjustable | |
| Digital zoom | | - | |
| Privacy mask | | 8 masks | |
| Mirror image | | OFF, H-FLIP | |
| Freeze | | - | |
| Motion detection | | - | |
| Neg.image | | - | |
| Interface | | 4P connector (Composite Video, Power in), 4P connector (DC iris), Remote control (RC-01) | |
| Power supply | | DC+12V±10% | |
| Power consumption | | 1.02W (85mA) | |
| Operating temperature | | -10 - +50°C | |
| Storage temperature | | -30 - +70°C | |
| Operating / Storage humidity | | 95% RH or less (Without condensation) | |
| Lens mount | | Φ14mm | |
| Standard lens | | f=2.8mm - 10.5mm F1.2 (2.8) Varifocal lens | |
| Weight | | Approx. 54g | |
| Accessories | | 4P cable, Hex. Wrench | |

Accessories Options

W-04CDB3



VIDEO OUT (BNC)



VIDEO OUT (BNC)

VIDEO OUT (RCA)



Monitor
※Not in our lineup