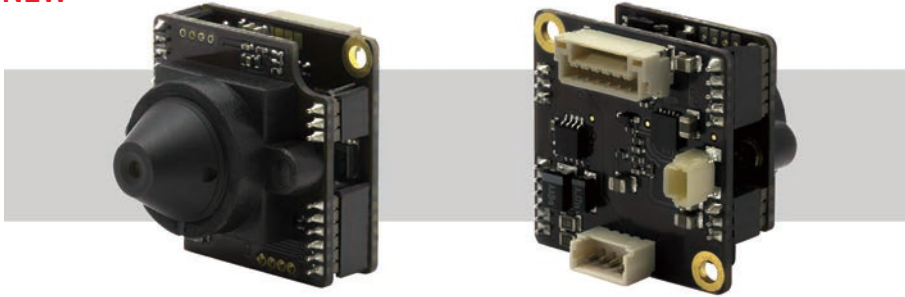


# WAT-1100MBD (P3.3) 1/3.2" High Sensitivity Miniature Board Day/Night Camera

Day/Night board camera for general surveillance

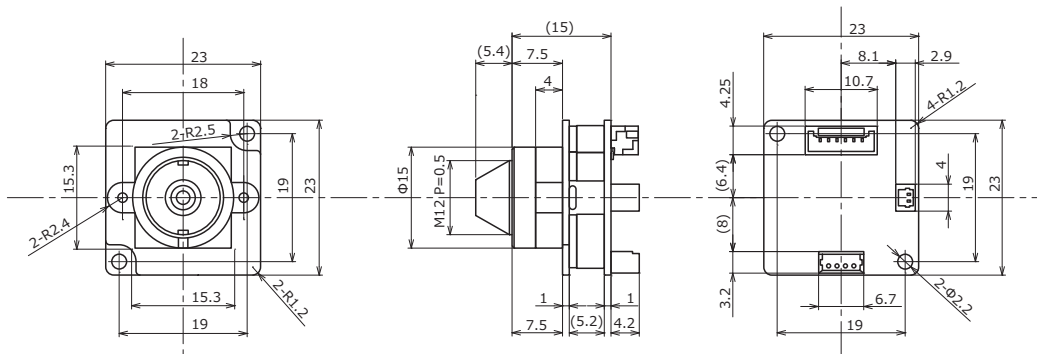
**NEW**



## Key features

- Ultra-compact design only 23 x 23 x 25 mm
  - Wide dynamic range, ICR Mechaless Day/Night function
  - Advanced setting available by OSD (On Screen Display) through an optional controller
  - A dual-band pass filter allows the ability to view a scene with 850nm IR illumination at night
- ※Glass lenses and pinhole lens are not interchangeable

## Dimensions



## Specifications

		NTSC	PAL
Video standard		NTSC	PAL
Pick-up element		1/3.2 inch BSI CMOS image sensor	
Number of effective pixels		1280(H) × 960(V)	1280(H) × 924(V)
Unit cell size		3.5μm(H) × 3.5μm(V)	
Imaging system		RGB+W array mosaic filters on chip	
Synchronizing system		Internal	
Scanning system		Progressive	
Video output		Composite: 1.0 V(p-p) 75Ω (Unbalanced)	
Resolution (H)		More than 750TVL (Center)	
Minimum illumination		0.009 lx F2.4 (AGC ON=54dB, Shutter=OFF)	
S/N		More than 55dB (AGC OFF=0dB, γ=1.0)	
Function settings		OSD : Remote controller	
AE mode	Fixed	1/60 sec.	1/50 sec.
		1/100, 1/120, 1/125, 1/250, 1/500, 1/1000, 1/2000, 1/4000, 1/8000, 1/10000, 1/20000, 1/50000, 1/100000 sec.	
	EI	1/60 - 1/100000 sec.	1/50 - 1/100000 sec.
White balance		ATW, AWB, PWB, MWB, PRESET (5100K, 6300K)	
AGC	ON	0 - 54dB	
	OFF	0dB	
MGC		0 - 54dB (6dB step)	
Day/Night		ICR mechaless Auto, Manual	
Gamma characteristics		γ≈0.45	
Video level		Adjustable	
Noise reduction		2DNR OFF/ON Level adjustable	
Wide dynamic range		WDR OFF/ON Level adjustable, D-WDR OFF/ON Level adjustable	
Lens iris		DC	
Back light compensation		BLC, HSBLC	
White blemish correction		-	
Sharpness		Level adjustable	
Defog		OFF/ON Level adjustable	
Digital zoom		-	
Privacy mask		16 masks	
Mirror image		OFF, V-FLIP, H-FLIP, HV-FLIP	
Freeze		-	
Motion detection		-	
Neg.image		-	
Interface		4P connector (Composite Video, Power in), 2P connector (IR light ctl), Remote control (RC-01)	
Power supply		DC+5V - 12V	
Power consumption		0.6W/120mA (DC+5V), 0.72W/60mA (DC+12V)	
Operating temperature		-10 - +50°C	
Storage temperature		-30 - +70°C	
Operating / Storage humidity		95% RH or less (Without condensation)	
Lens mount		M12 P=0.5	
Standard lens		3324B-12P(A) (f3.3 F2.4)	
Weight		Approx. 8g	
Accessories		4P cable, 2P cable	

