

WAT-233 1/3" True Day/Night Camera

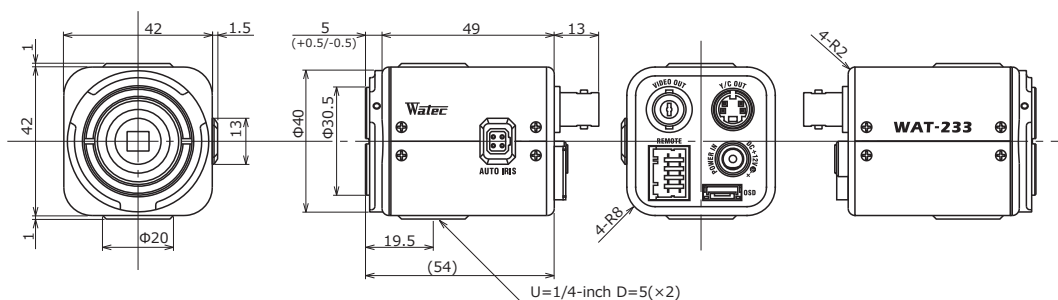
Day/Night and WDR offers the best solution for demanding scene conditions



Key features

- 1/3-inch high Sensitivity 960H CCD sensor supports 650 TVL
- Wide dynamic range by adopting dual-shutter method
- 3DNR, privacy masking, defog, RS-485 (Pelco-D) compatible
- OSD (On Screen Display) – Easy installation through a remote control provided in kit

Dimensions



Specifications

Video standard	PAL	
Pick-up element	1/3 inch interline transfer CCD image sensor	
Number of effective pixels	976(H) × 582(V)	
Unit cell size	5.0μm(H) × 6.25μm(V)	
Imaging system	Ye, Cy, Mg, and G complementary color mosaic filters on chip	
Synchronizing system	Internal	
Scanning system	2:1 interlace	
Video outputs	Composite: 1.0 V(p-p) 75Ω (Unbalanced) Y/C OUT : Y: 1.0V(p-p), C: 0.3V(p-p) 75Ω	
Resolution (H)	More than 650TVL (Center)	
Minimum illumination	Color	0.01 lx F1.2 (AGC HIGH=44dB, Shutter=OFF, NR=ON)
		0.0006 lx F1.2 (AGC HIGH=44dB, Shutter=x16, NR=ON)
	Monochrome	0.0005 lx F1.2 (AGC HIGH=44dB, Shutter=OFF, NR=ON)
		0.00003 lx F1.2 (AGC HIGH=44dB, Shutter=x16, NR=ON)
S/N	More than 50dB (AGC OFF=2dB, γ=1.0)	
Function settings	OSD : Remote controller, RS-485 (Pelco-D), Communication : RS-485 (Pelco-D)	
AE mode	Fixed	x2, x4, x8, x16, x32, x64, x128, x256 (field)
		1/50, 1/120 sec.
	EI	1/250, 1/500, 1/1000, 1/2000, 1/4000, 1/10000 sec.
		1/50 - 1/100000 sec.
		x16 - 1/100000 sec.
White balance	ATW, AWB, ACR, PWB, PRESET (3200K, 4300K, 5100K, 6300K)	
AGC	ON	2 - 32dB (LOW), 2 - 44dB (HIGH)
	OFF	2dB
MGC	2 - 44dB (1dB step)	
Day/Night	Mechanical Auto, Manual, External	
Gamma characteristics	γ≈0.35, 0.4, 0.45, 0.5, 0.55, 0.6, 0.7, 0.8, 1.0	
Video level	Adjustable	
Noise reduction	3DNR OFF/ON Level adjustable	
Wide dynamic range	WDR OFF/ON Level adjustable	
Lens iris	Video / DC (EIAJ, Auto-select)	
Back light compensation	BLC, HSBLC	
White blemish correction	Up to 64 pixels	
Sharpness	Level adjustable	
Defog	OFF/ON Level adjustable	
Digital zoom	ZOOM (x2 - x256), PAN/TILT	
Privacy mask	15 masks	
Mirror image	OFF, V-FLIP, H-FLIP, HV-FLIP	
Freeze	-	
Motion detection	OFF/ON Select from 96 detection areas	
Neg.image	-	
Interface	BNC (Composite Video), Y/C OUT, Power in, Remote control (RC-01), REMOTE (Alarm, DAY/NIGHT, RS-485)	
Power supply	DC+12V±10%	
Power consumption	1.62W (135mA)	
Operating temperature	-10 - +50°C	
Storage temperature	-30 - +70°C	
Operating / Storage humidity	95% RH or less (Without condensation)	
Lens mount	CS mount (Back focus adjustable)	
Weight	Approx. 150g	
Accessories	WPDC12 (DC plug), AIC-G (Iris plug), Hex. wrench, RC-01 (Remote control), I/O cable	

