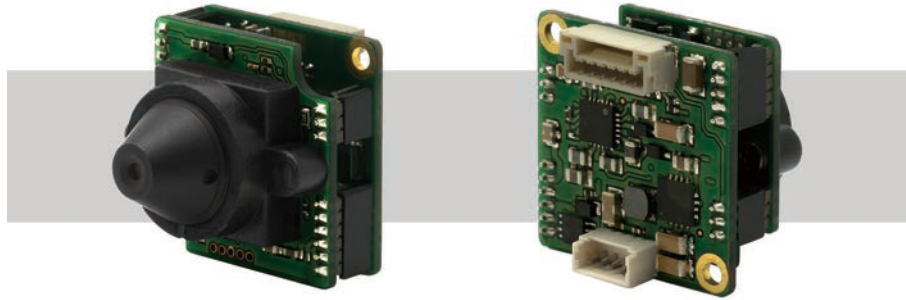


WAT-910HX MBD (P3.3) 1/3" Super High Sensitivity Miniature Board Camera

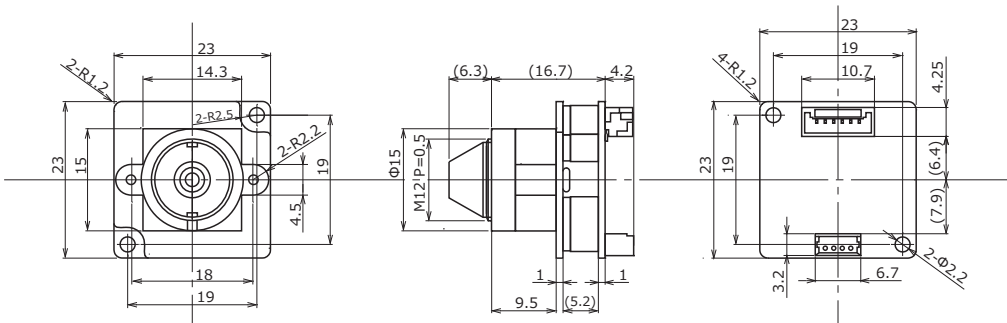
Ultra-compact design only 23 x 23mm for limited space and embedded application



Key features

- Advanced setting available by OSD (On Screen Display) through an optional remote control
- Build-in M12 Conical Pinhole lens P3.3 (f=3.3mm F2.4)
 - ※Glass lenses and pinhole lens are not interchangeable

Dimensions



Specifications

Video standard		EIA	CCIR
Pick-up element		1/3 inch interline transfer CCD image sensor	
Number of effective pixels		768(H) × 494(V)	752(H) × 582(V)
Unit cell size		6.4µm(H) × 7.5µm(V)	6.5µm(H) × 6.3µm(V)
Synchronizing system		Internal	
Scanning system		2:1 interlace	
Video output		Composite video, 1.0 V(p-p) 75Ω (Unbalanced)	
Resolution (H)		More than 570TVL (Center)	
Minimum illumination		0.00016 lx F2.4 (AGC ON=48dB, Shutter=x8)	
S/N		More than 50dB (AGC OFF=6dB, γ=0.45, Shutter=OFF, NR=ON)	
Function settings		OSD : Remote controller	
AE mode	Fixed	x2, x4, x8, x16, x32, x64, x128, x256 (field)	
		1/60, 1/120 sec.	1/50, 1/100 sec.
AE mode	EI	1/250, 1/500, 1/1000, 1/2000, 1/4000, 1/10000 sec.	
		1/60 - 1/100000 sec.	1/50 - 1/100000 sec.
AGC	ON	x8 - 1/100000 sec.	
	OFF	0 - 48dB (Max. 6 - 48)	
MGC		0 - 48dB (6dB step)	
Gamma characteristics		γ=0.45	
Video level		Adjustable	
Noise reduction		3D+2DNR ON Level adjustable	
Wide dynamic range		D-WDR OFF/ON Level adjustable	
Lens iris		-	
Back light compensation		BLC, HSBLIC	
White blemish correction		Up to 64 pixels	
Sharpness		Level adjustable	
Defog		OFF/ON Level adjustable	
Digital zoom		ZOOM (x1 - x256), PAN/TILT	
Privacy mask		15 masks	
Mirror image		OFF, V-FLIP, H-FLIP, HV-FLIP	
Freeze		-	
Motion detection		OFF/ON Select from 96 detection areas	
Neg.image		-	
Interface		4P connector (Composite Video, Power in), Remote control (RC-01)	
Power supply		DC+12V±10%	
Power consumption		0.96W (80mA)	
Operating temperature		-10 - +50°C	
Storage temperature		-30 - +70°C	
Operating / Storage humidity		95% RH or less (Without condensation)	
Lens mount		M12 P=0.5	
Standard lens		3324B-12P(A) (f3.3 F2.4)	
Weight		Approx. 10g	
Accessories		4P cable	

Accessories Options

